

Heavy Duty Large Cash Drawer

QUALITY INNOVATION INNOVATION QUALITY SERVICE SERVICE

DOMINO CD-5004

Made of heavy gauge steel, suitable for heavy duty use and prolonged operational life, the ideal choice for reliability and perfect platform for any EPOS terminal. Adjustable and removable 4/5/6/8-note and 8-coin Cash tray with metal wire grippers, making it worldwide compatible.



Industrial grade steel
ball-bearing slides



Easy access
interface location



Durable Metal Wire Gripper Bill Holder
Tested over one million operations

Easy and comfortable operation.
Human Engineering Design

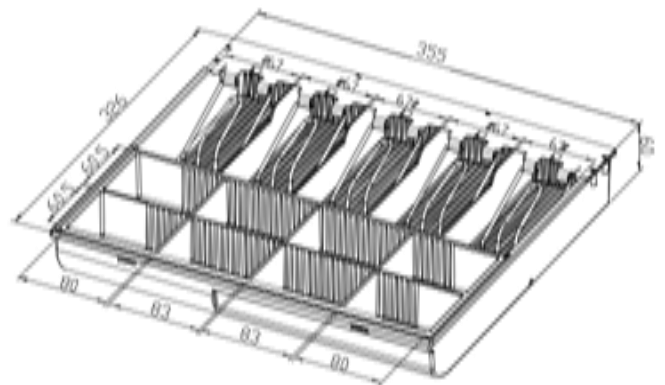
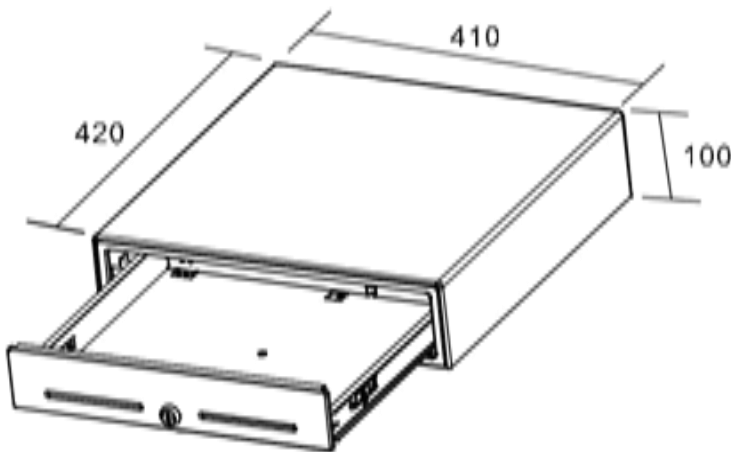
Removable and adjustable cash tray

Specifications

MODEL NUMBER	CD-5004
PHYSICAL	
Dimension	410(W)x420(D)x100(H)mm
Construction	Thick gauge cold rolled steel & SECC
Finish	Textured hybrid powder coat
Color	Black, Beige and Custom type
Slide	Ball bearing slide for smooth & stable operation
CASH TRAY (INSERT)	
Construction	Shatter-resistant plastic
Currency Layout	4/5/6/8-Bill with Metal Metal wire grips, 8 Adjustable Coin Slots
Media Slots	2
OPERATION	
Drawer Lock	3- Position lock / 4- Functions: locked open/closed, manual open, electronically driven
Interface	RJ11, RJ12, USB, RS232, DCΦ2.5 /3.5 Jack, custom type
Lifecycle	MTBF 1,000,000 times +
Micro Switch	Cash Drawer Status Micro Switch

OPTION		ACCESSORIES	
Micro-switch		Part Number	Description
Stainless Steel Front		Tray-4148 Tray-4158 Tray-4168 Tray-4188	Cash Tray
Cash tray with different currency layout		Bracket-41458	Under Mounting brackets
Different color		DT-100U	USB Trigger
Different interfaces		DT-100RS	Serial Interface Trigger

Packing Details			
Models	Net Weight(kg)	Gross Weight(kg)	Carton Size(cm)
SK-410	8.20	9.20	47.0 x 48.0 x 17.0



Specifications are subjected to change without notice.

Domino POS Solutions

No.77, Huli Industrial Zone, Xike,
Tong'an District, Xiamen 361100
Fujian China

Tel: +91-9822680782
www.dominoindia.co.in
E-mail: vijaykadam@dominoindia.co.in

